



EON 618S

18" Self Powered Subwoofer

Features:

- ▶ JBL Premium Transducers
- ▶ 1000 W highly efficient Class-D amplification
- ▶ Maximum SPL Output: 134dB
- ▶ System Type: Self powered 18" Subwoofer
- ▶ Frequency Range (-10dB): 31Hz - 150Hz
- ▶ Frequency Response (-3dB): 42.5Hz - 150Hz
- ▶ Bluetooth Control
 - 3 Parametric EQs + Hi & Lo Shelf
 - Gain and Delay
 - Save and Recall settings
 - Polarity Inversion
- ▶ JBL Engineered Crossover Presets
 - 80 Hz
 - 100 Hz
 - 120 Hz
 - EON
- ▶ M20 Pole Cup
- ▶ Rugged, stage-ready Duraflex enclosure

Applications:

- ▶ The EON618S is a powered portable PA subwoofer in the EON600 series from JBL Professional. It has been designed to deliver class leading performance in a variety of applications supporting EON600 and other full range systems. A lightweight, highly useful enclosure allows the speaker to be easily transported and set up wherever low frequency reinforcement is needed.
- ▶ The EON618S enclosure has been designed to maximize cabinet volume while maintaining a highly transportable footprint. This has led to extraordinary Low Frequency production, making the EON618S the loudest, lowest, cleanest subwoofer in its class
- ▶ Selectable crossover presets are available through the EON Connect app. By default, the EON618S uses the "EON" tuning, which is a 100 Hz crossover that has been specifically tuned to compliment the full range EON600 speakers. Generic 80Hz, 100Hz, and 120Hz tunings are also available for use with other full range systems.
- ▶ Bluetooth control over DSP Parameters, presets, and master volume allows users to control up to 4 speakers at one time with iOS and android devices. Polarity inversion, 3 PEQs, and a Hi- and Lo-shelf are built into the speaker and accessible via the EON Connect app.

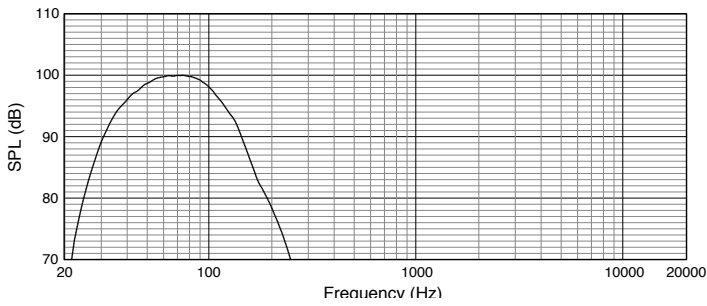


Specifications:

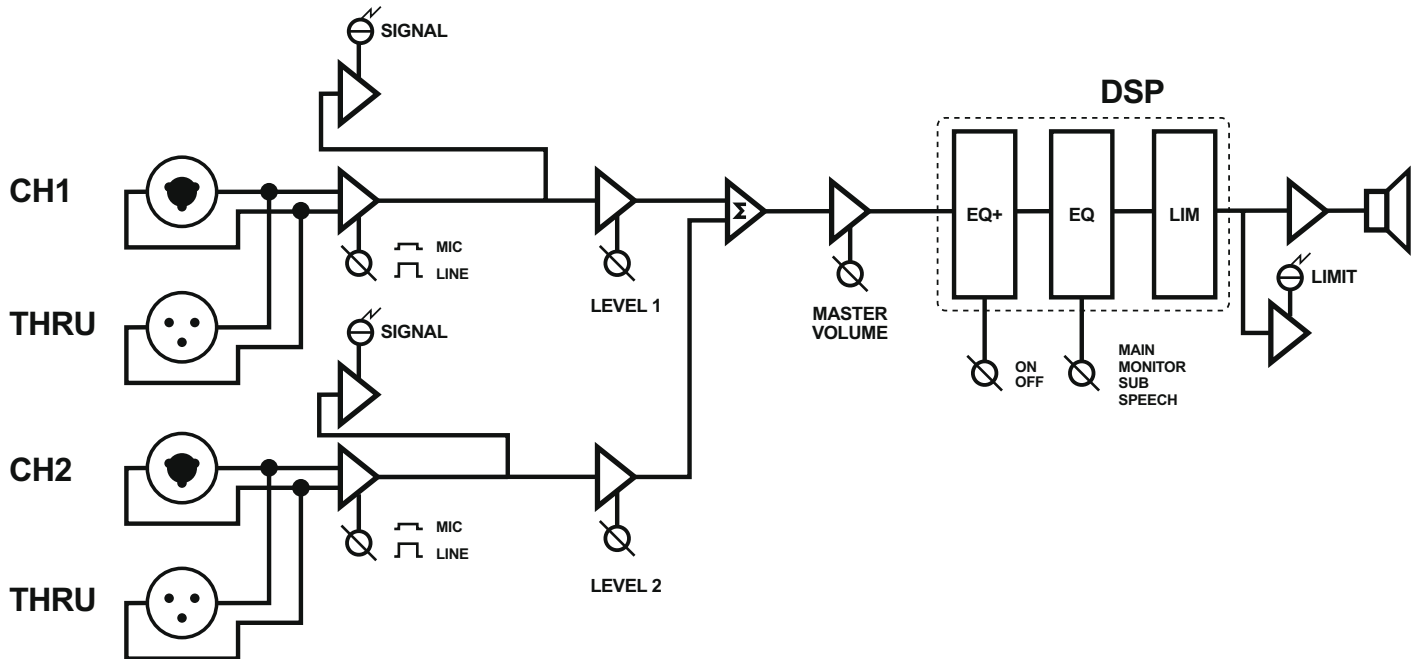
System:	
System Type:	Self powered 18" Subwoofer
Maximum SPL Output:	134 dB
Frequency Range (-10 dB):	31Hz - 150Hz
Frequency Response (-3 dB):	42.5Hz - 150Hz
Amplifier:	
System Power Rating:	1000W Peak, 500W Continuous
Input Impedance:	22k (balanced)
Line Input Gain:	0 to 36 dBu
Mic Input Gain:	-
Maximum Input Level:	
Line:	+14dBu
Mic:	-
Connectors:	2 x Balanced XLR-1/4" combination inputs; 2 x male XLR loop thru out
LED Indicators:	Front Power LED (Defeatable, white) Rear Power LED (White), Bluetooth (Blue), EQ+ (Green) Preset (Green) Signal (Green) Limit (Orange)
Cooling:	Passive
AC Power Input:	100-120VAC 50/60Hz; 230-240VAC 50/60Hz
AC Power Consumption (120V~):	1/8th Power - 1.14A (Max), 1/4th Power - 1.71A (Max), 1/3rd Power - 2.03A (Max)
Speaker:	
LF Driver:	1 x JBL 618H 457mm (18") woofer with 2" voice coil
HF Driver:	-
Coverage Pattern:	-
Crossover Frequency:	Selectable; 80 Hz, 100 Hz, or 120 Hz
Enclosure:	
Material:	Duraflex coated wooden enclosure
Monitor Angle:	-
Suspension/Mounting:	M20 Threaded Pole Cup
Handles:	2
Grille:	Powder coated, Obsidian, perforated steel with acoustically transparent black cloth backing
Dimensions (L x W x H):	582mm x 668mm x 645mm (22.9" x 26.3" x 25.4")
Shipping Dimensions (L x W x H):	803mm x 768mm x 631mm (31.6" x 30.2" x 25.1")
Weight:	78.2 lbs (35.5 kg)
Shipping Weight:	91.0 lbs (41.2 kg)

▶ EON 618S 18" Self-Powered Subwoofer

Frequency Response (Main Tuning)

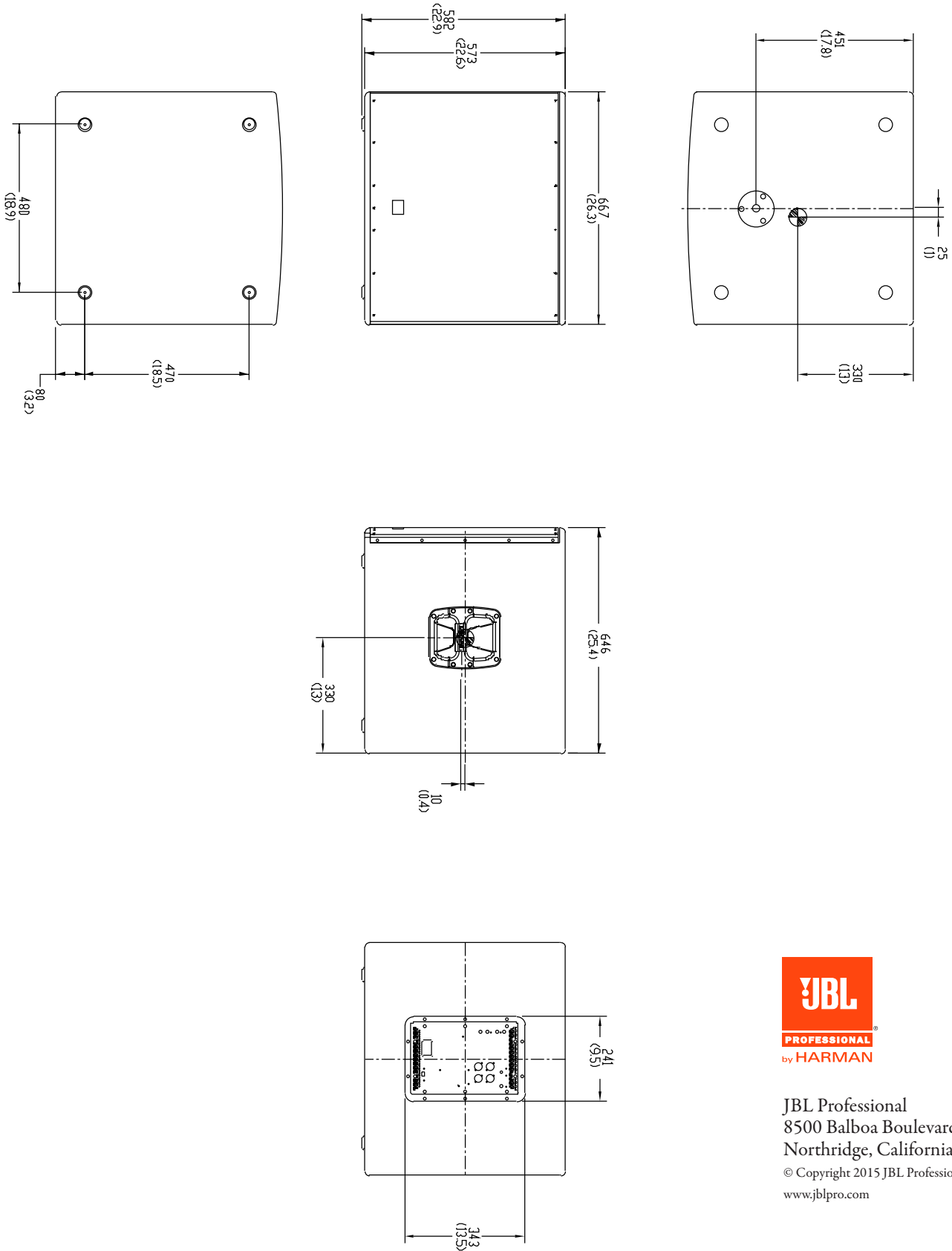


Block Diagram:



▶ EON 618S 18" Self-Powered Subwoofer

Dimensions:



JBL Professional
 8500 Balboa Boulevard, P.O. Box 2200
 Northridge, California 91329 U.S.A.
 © Copyright 2015 JBL Professional
www.jblpro.com